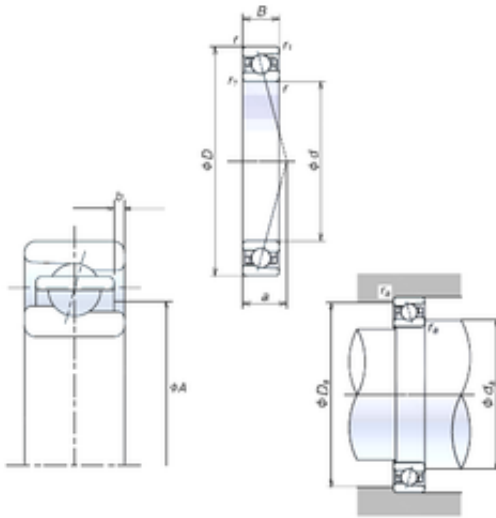




PRECISION BEARING ACCESSORIES SPAIN C...



120BER19S Bearing 2D drawings and 3D CAD models

120 mm x 165 mm x 22 mm NSK 120BER19S
angular contact ball bearings

Bearing No. 120BER19S

Size	120x165x22 mm
Bore Diameter	120 mm
Outer Diameter	165 mm
Width	22 mm
d	120 mm
D	165 mm
B	22 mm
C	22 mm
Angle (°)	25 °
a	44,2 mm
b	0,7 mm
r min.	1,1 mm
r1 min.	0,6 mm
A	136 mm
da min.	127 mm
Da max.	158 mm
ra max.	1 mm
Weight	1,24 Kg
Basic dynamic load rating (C)	51,5 kN
Basic static load rating (C0)	50 kN
(Grease) Lubrication Speed	8500 r/min