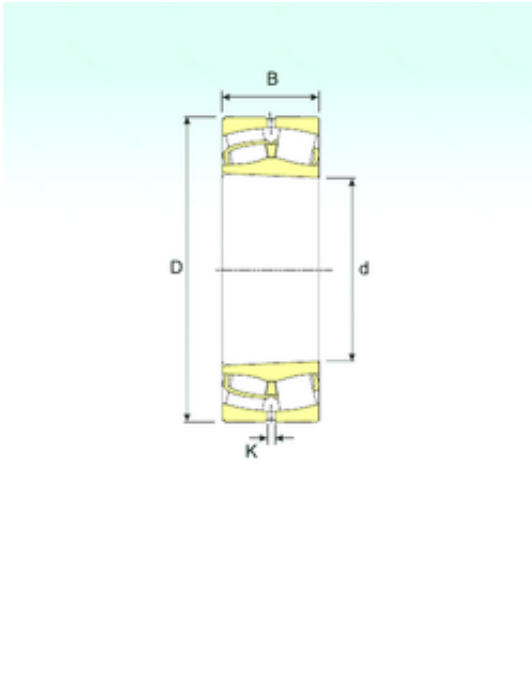




PRECISION BEARING ACCESSORIES SPAIN C...



22322 K Bearing 2D drawings and 3D CAD models

110 mm x 240 mm x 80 mm ISB 22322 K
spherical roller bearings

Bearing No. 22322 K

Size	110x240x80 mm
Bore Diameter	110 mm
Outer Diameter	240 mm
Width	80 mm
d	110 mm
D	240 mm
B	80 mm
C	80 mm
K	7,5 mm
Weight	18,4 Kg
Basic dynamic load rating (C)	931 kN
Basic static load rating (C0)	1098 kN
(Grease) Lubrication Speed	2142 r/min